



Metlam Designer 120 Series Aluminium Heavy Duty Leg - Black - 165mm

SKU ML120ALUM-165-BLK

MPN DESIGNER_120ALUM_165



DESCRIPTION

Metlam Designer 120 Series Aluminium Heavy Duty Leg - Black - 165mm

165mm with 35mm adjustment (200mm Max)

Anodised satin black finish

SPECIFICATION

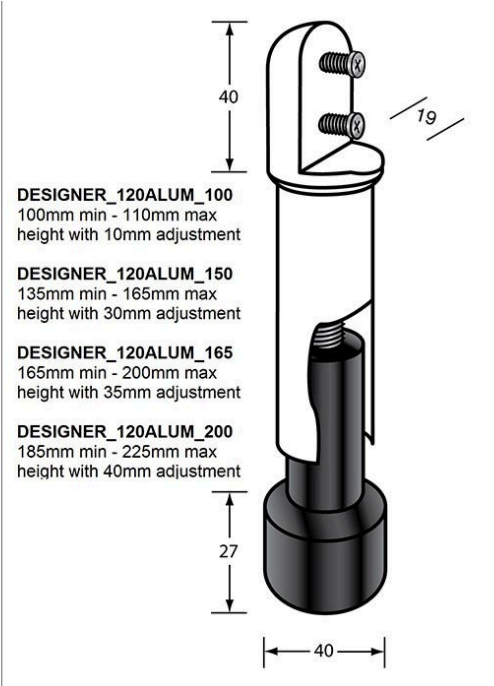
MPN	DESIGNER_120ALUM_165
Brand	Metlam
Product Height	200mm
Product Diameter	39mm
Product Finish or Colour	Black (BLK)
Product Material	Aluminium
Includes Fixing Screws	Yes
Product Warranty	1 Year

ADDITIONAL IMAGES



Metlam Designer 120 Series Aluminium Heavy Duty Leg - Black - 165mm
Scan to view online and for additional product information , or call us on **1800 555 600**.

Print Date: 27/4/24



Metlam Designer 120 Series Aluminium Heavy Duty Leg - Black - 165mm
Scan to view online and for additional product information , or call us on **1800 555 600**.

Print Date: 27/4/24