



# Metlam Designer 120 Series Aluminium Heavy Duty Leg - Black - 200mm

**SKU** ML120ALUM-200-BLK

**MPN** DESIGNER\_120ALUM\_200



## DESCRIPTION

### Metlam Designer 120 Series Aluminium Heavy Duty Leg - Black - 200mm

200mm with 40mm adjustment

Anodised satin black finish

## SPECIFICATION

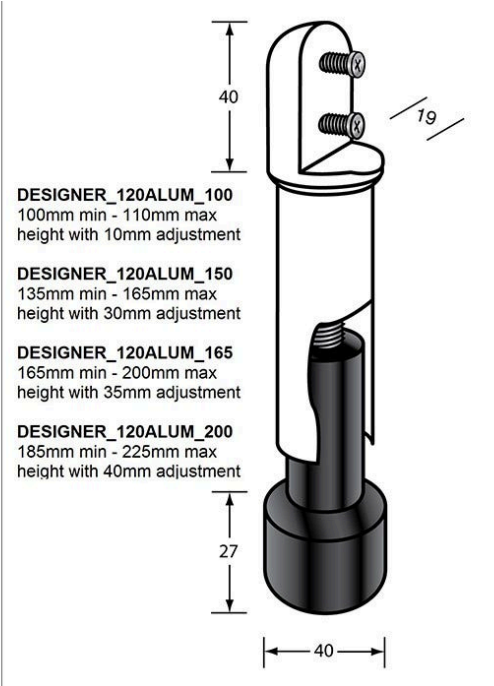
|                                 |                      |
|---------------------------------|----------------------|
| <b>MPN</b>                      | DESIGNER_120ALUM_200 |
| <b>Brand</b>                    | Metlam               |
| <b>Product Height</b>           | 225mm                |
| <b>Product Diameter</b>         | 39mm                 |
| <b>Product Finish or Colour</b> | Black (BLK)          |
| <b>Product Material</b>         | Aluminium            |
| <b>Includes Fixing Screws</b>   | Yes                  |
| <b>Product Warranty</b>         | 1 Year               |

## ADDITIONAL IMAGES



**Metlam Designer 120 Series Aluminium Heavy Duty Leg - Black - 200mm**  
Scan to view online and for additional product information , or call us on **1800 555 600**.

Print Date: 20/4/24



**Metlam Designer 120 Series Aluminium Heavy Duty Leg - Black - 200mm**  
Scan to view online and for additional product information , or call us on **1800 555 600**.

Print Date: 20/4/24