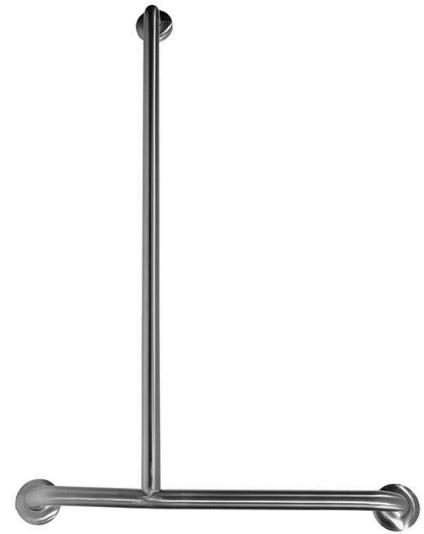




Metlam MLR107MK11 Shower Grab Rail - Left Hand - Satin Stainless Steel

SKU MLR107SS

MPN MLR107_MKII



DESCRIPTION

Metlam Offset Flush Mount Shower Grab Rail - LH - SSS

32mm diameter tubing

Concealed fix - 78mm Ø mount

Accessible compliant when installed in accordance with AS1428.1 guidelines

SPECIFICATION

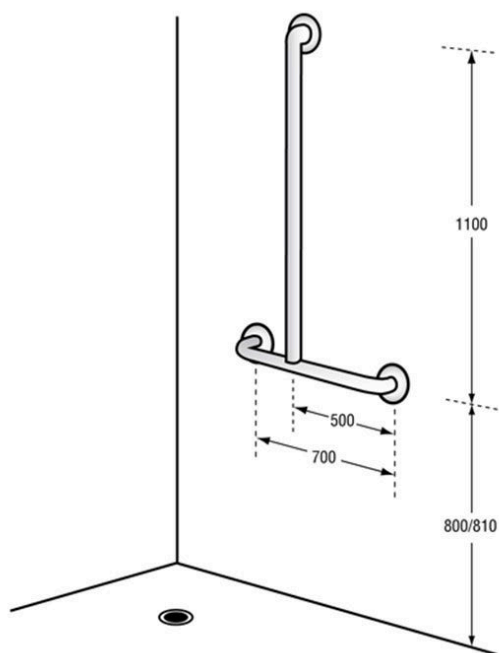
MPN	MLR107_MKII
Brand	Metlam
Product Length	778mm
Product Height	1178mm
Projection or Length	87mm
Product Diameter	32mm
Product Finish or Colour	Satin Stainless Steel (SSS)
Product Material	304 Stainless Steel
Includes Fixing Screws	No
AS1428.1 Compliant	Yes
Antiligature	No
Antimicrobial	No
Bariatric	No
Handing	Left Hand
Fixing	Concealed Fixed
Grab Rail Angle	90°
Mounting Plate Diameter	78mm
Blocking Required	Yes
Number of Brackets	3
Max Downward Force	1100Nm
Static Load	1100Nm
Orientation	Left Hand
Security Fixing	No
Product Warranty	1 Year



Metlam MLR107MK11 Shower Grab Rail - Left Hand - Satin Stainless Steel
Scan to view online and for additional product information , or call us on **1800 555 600**.

Print Date: 25/4/24

ADDITIONAL IMAGES



Metlam MLR107MK11 Shower Grab Rail - Left Hand - Satin Stainless Steel
Scan to view online and for additional product information , or call us on **1800 555 600**.

Print Date: 25/4/24