



Metlam ML605BS Soap Dispenser - Vertical Model - Satin Stainless Steel - 1.2 LT

SKU ML605BS

MPN ML605BS



DESCRIPTION

Metlam Vertical Soap Dispenser - SSS

Pump action soap dispenser valve
Impact resistant liquid level indicator
Lockable hinged lid (key provided)
Accessible compliant when installed in accordance with AS1428.1 guidelines
209mm H x 123mm W x 71mm D (+22mm for Spout)

SPECIFICATION

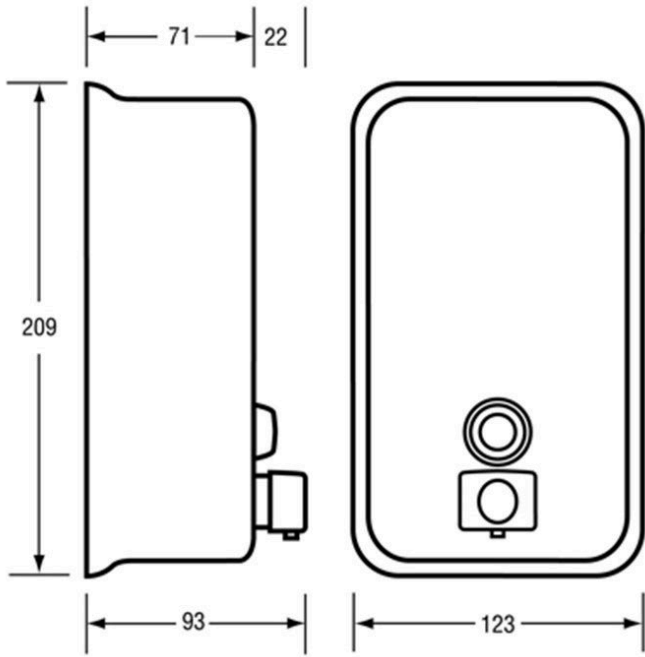
MPN	ML605BS
Brand	Metlam
Product Height	209mm
Product Width	123mm
Product Depth	71mm
Product Finish or Colour	Satin Stainless Steel (SSS)
Product Material	304 Stainless Steel
AS1428.1 Compliant	Yes
Lockable	Yes
Mounting Type	Surface Mounted
Blocking Required	Yes
Activation	Pump Push
Filling Type	Top
Orientation	Vertical
Soap Type	Refer Supplier Website *
Product Warranty	1 Year

ADDITIONAL IMAGES



Metlam ML605BS Soap Dispenser - Vertical Model - Satin Stainless Steel - 1.2 LT
Scan to view online and for additional product information , or call us on **1800 555 600**.

Print Date: 19/4/24



Metlam ML605BS Soap Dispenser - Vertical Model - Satin Stainless Steel - 1.2 LT
Scan to view online and for additional product information , or call us on **1800 555 600**.

Print Date: 19/4/24