



# Metlam ML950-12 Utility Shelf - Satin Stainless Steel - 300mm W

SKU ML950-12

MPN ML950\_12



## DESCRIPTION

### Metlam Utility Shelf

300 W x 105 H x 128mm D

4 mounting holes

Accessible compliant when installed in accordance with AS1428.1 guidelines

## SPECIFICATION

<b>MPN</b>	ML950_12
<b>Brand</b>	Metlam
<b>Product Width</b>	300mm
<b>Product Height</b>	105mm
<b>Product Depth</b>	127mm
<b>Product Finish or Colour</b>	Satin Stainless Steel (SSS)
<b>Product Material</b>	Stainless Steel
<b>Includes Fixing Screws</b>	No
<b>AS1428.1 Compliant</b>	Yes
<b>Antiligature</b>	No
<b>Antimicrobial</b>	No
<b>Fixing</b>	Visible Fixed
<b>Centre to Centre Distance</b>	204mm
<b>Open Projection</b>	127mm
<b>Mounting Type</b>	Surface Mounted
<b>Closed Projection</b>	127mm
<b>Blocking Required</b>	Yes
<b>Security Fixing</b>	No
<b>Number of Shelves</b>	1
<b>Number of Brackets</b>	2
<b>Product Warranty</b>	1 Year

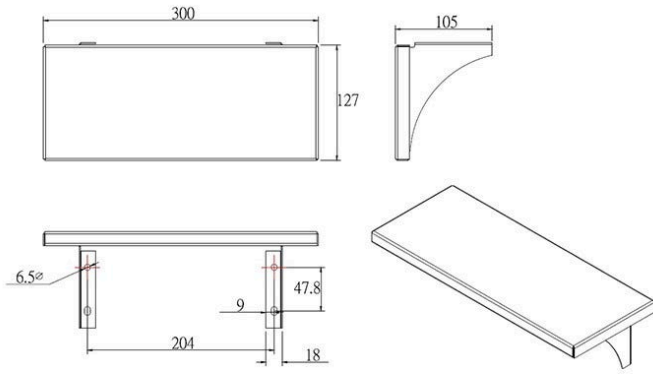
## ADDITIONAL IMAGES



**Metlam ML950-12 Utility Shelf - Satin Stainless Steel - 300mm W**

Scan to view online and for additional product information , or call us on **1800 555 600**.

Print Date: 27/4/24



ML950\_12



**Metlam ML950-12 Utility Shelf - Satin Stainless Steel - 300mm W**  
Scan to view online and for additional product information , or call us on **1800 555 600**.

Print Date: 27/4/24